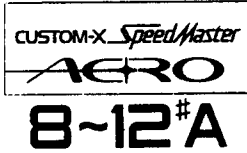


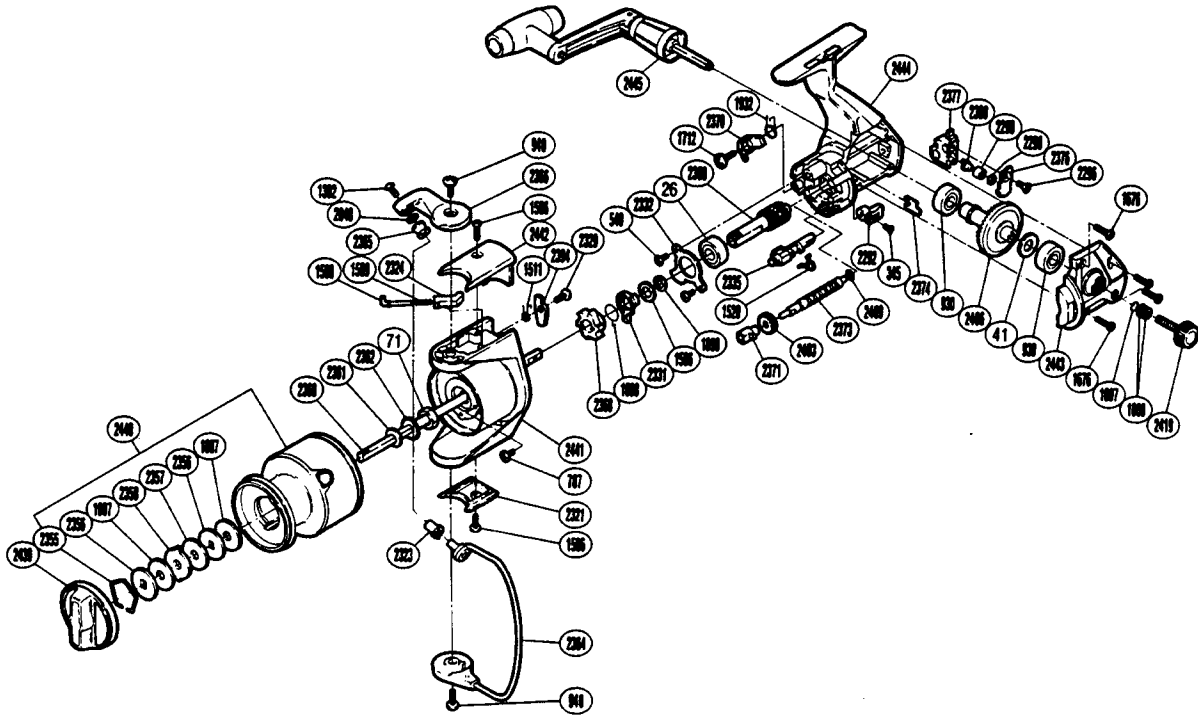
**EXPLODED PARTS VIEW**



**SHIMANO®**

**1990 REPAIR MANUAL**

Shimano American Corporation, One Shimano Dr.  
Irvine, CA 92718



**TO ORDER: USE RD PREFIX  
WITH PART NUMBER**

**PARTS LIST**

RD #	DESCRIPTION	RD #	DESCRIPTION	RD #	DESCRIPTION
0026	Ball Bearing	1932	Anti-Reverse Pawl Spring	2365	Line Roller
0041	Drive Gear Washer	2048	Line Roller Washer	2366	Bail Arm
0071	Rotor Nut	2292	Anti-Reverse Lever	2368	Anti-Reverse Ratchet
0345	Anti-Reverse Lever Screw	2296	Slider Retainer Screw	2370	Anti-Reverse Pawl
0540	Anti-Reverse Pawl Screw	2298	Spacer	2371	Worm Bearing
0787	Nut Lock Screw	2299	Oscillating Slider Bushing	2373	Worm Shaft
0930	Ball Bearing	2300	Oscillating Pawl	2374	Worm Shaft Retainer
0940	Bail Trip Cam Screw	2321	Rotor Side Cover	2376	Oscillating Pawl Cover
1007	Lock Washer Retainer	2323	Line Roller Bushing	2377	Oscillating Slider
1008	Handle Lock Washer	2324	Bail Spring Guide [B]	2394	Bail Trip Lever
1087	Drag Washer 1	2329	Bail Trip Lever Screw	2399	Pinion Gear
1302	Line Roller Screw	2331	Anti-Reverse Lock Out	2403	Idle Gear
1506	Bail Spring Cover Screw	2332	Bearing Retainer	2406	Drive Gear
1508	Bail Spring Guide A	2335	Anti-Reverse Cam	2409	Worm Shaft Spacer
1509	Bail Spring	2355	Drag Washers Retainer	2419	Handle Screw Cap
1511	Lever Spring	2356	Key Washer	2439	Drag Knob
1520	Anti-Reverse Cam Spring	2357	Drag Washer 2	2440	Spool Assembly
1596	Bushing Washer	2358	Eared Washer	2441	Rotor
1676	Side Cover Screw	2360	Main Shaft	2442	Bail Spring Cover
1712	Anti-Reverse Pawl Screw	2361	Spool Washer	2443	Side Cover
1888	Anti-Reverse Lock Out Spring	2362	Spool Support	2444	Body
1890	Bushing Washer	2364	Bail Assembly	2445	Handle Assembly

Prices and specifications subject to change without notice.